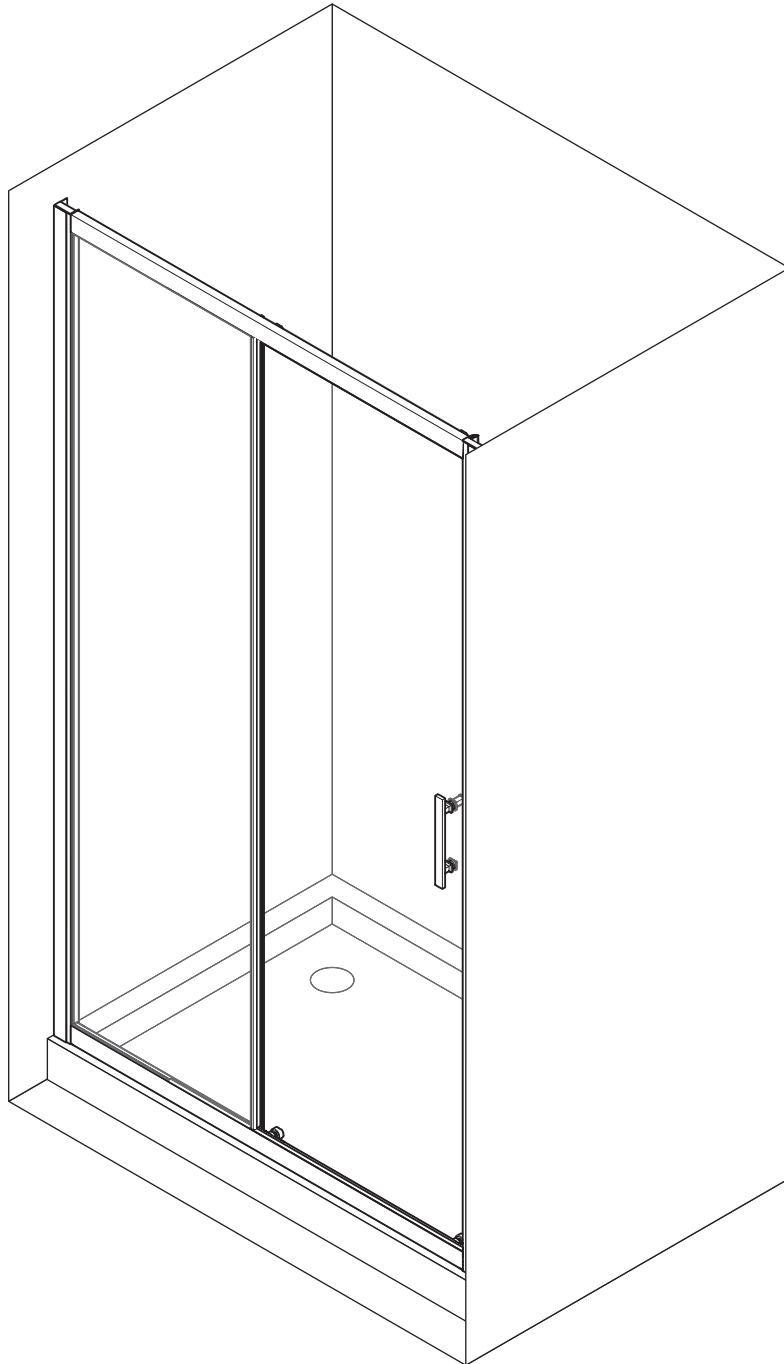
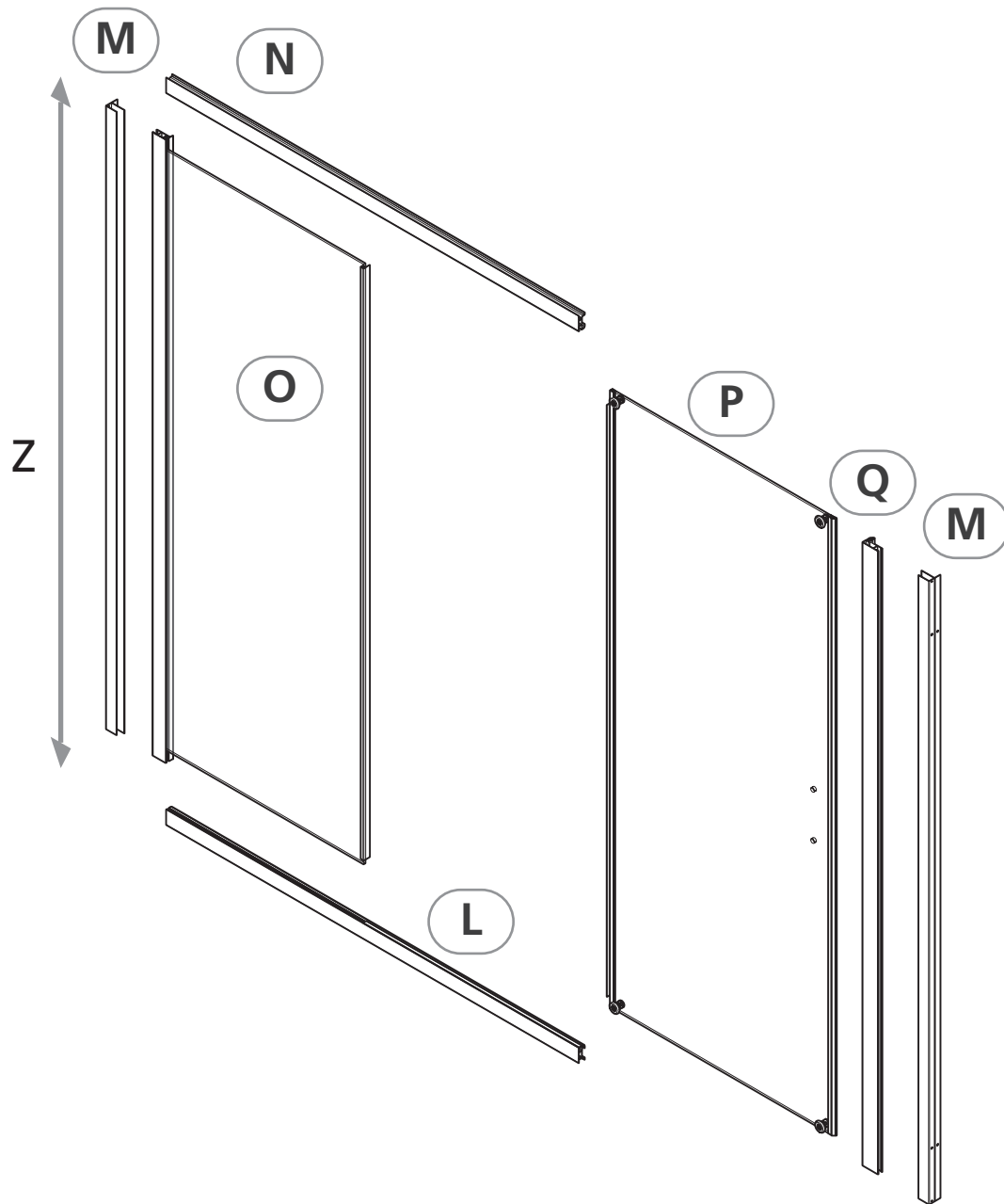


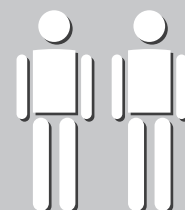
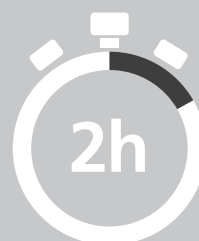
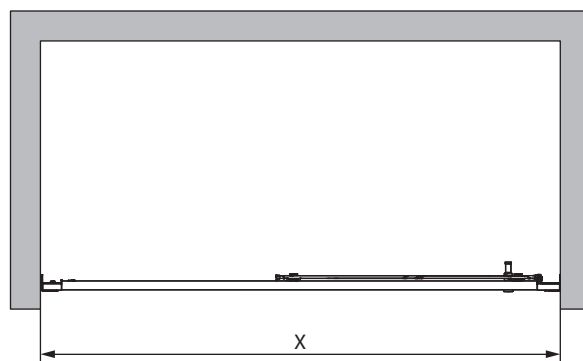
# ZEPHYROS

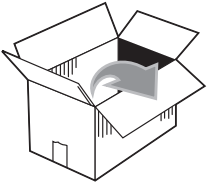
2P



2P96	X=96-102 cm	Z=195 cm
2P114	X=114-120 cm	Z=195 cm
2P116	X=116-122 cm	Z=195 cm
2P126	X=126-132 cm	Z=195 cm
2P136	X=136-142 cm	Z=195 cm
2P146	X=146-152 cm	Z=195 cm
2P156	X=156-162 cm	Z=195 cm

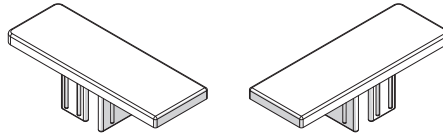




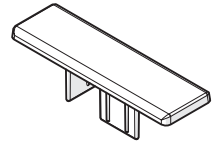
**B1**



**B2**

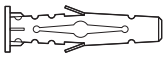


**B3**



**C1**

x4



**C2**

x4



4X35 mm

**C3**

x4



3,5x45 mm

**C5**

x4



3,5x9,5 mm

**C6**

x6

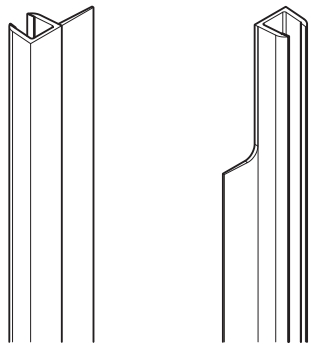


**D1**

x2

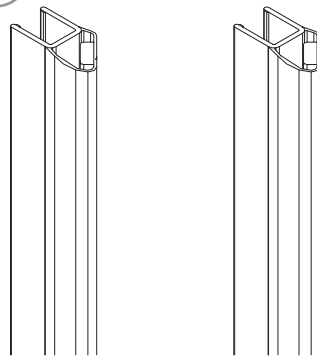


**D2**



h 1862 mm h 1924 mm

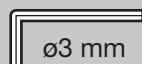
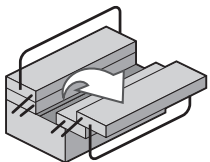
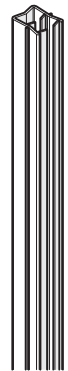
**D3**



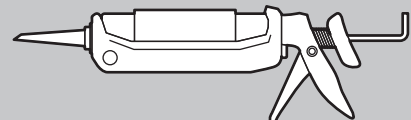
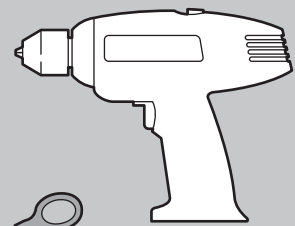
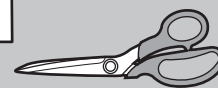
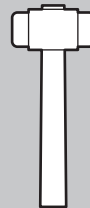
h 1950 mm h 1924 mm

**D4**

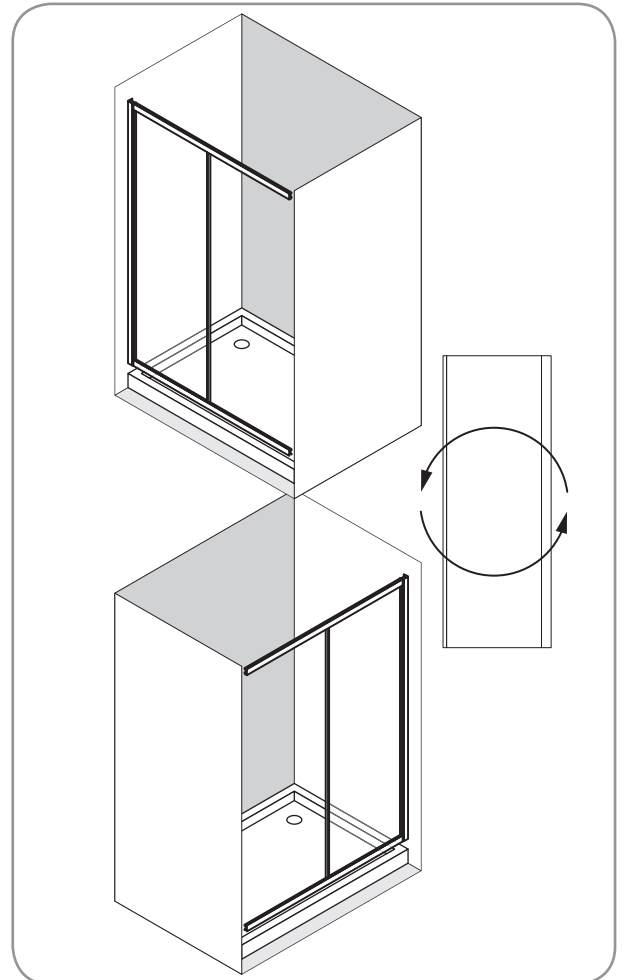
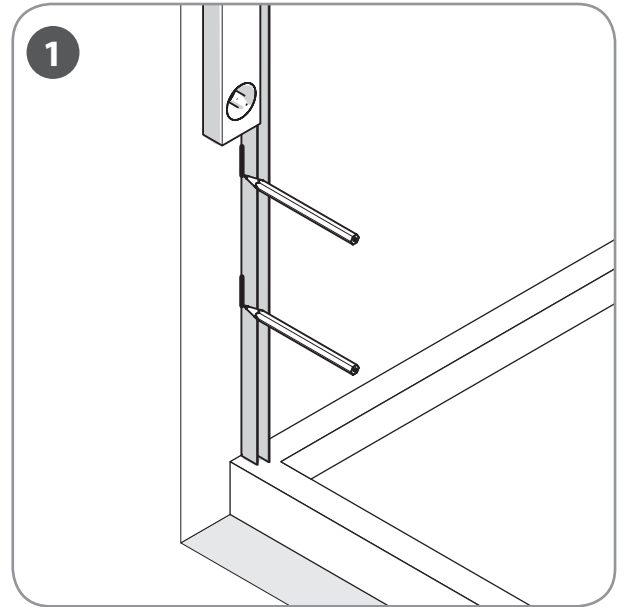
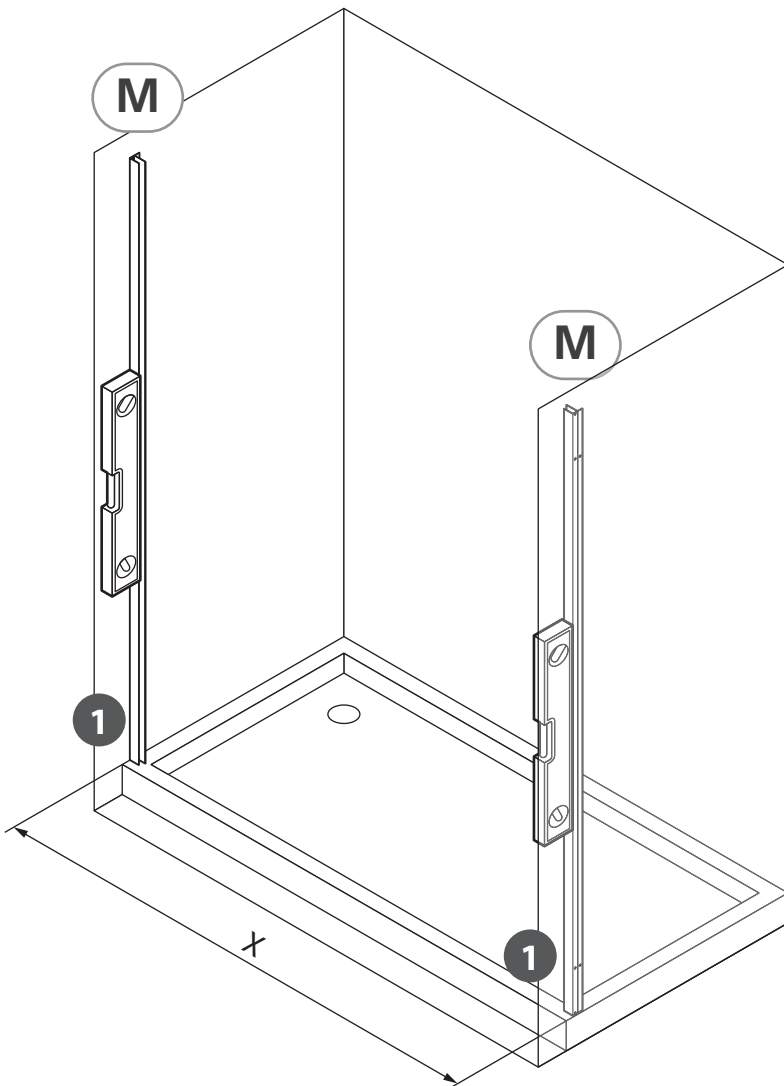
x2



ø3 mm



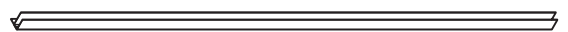
# 1



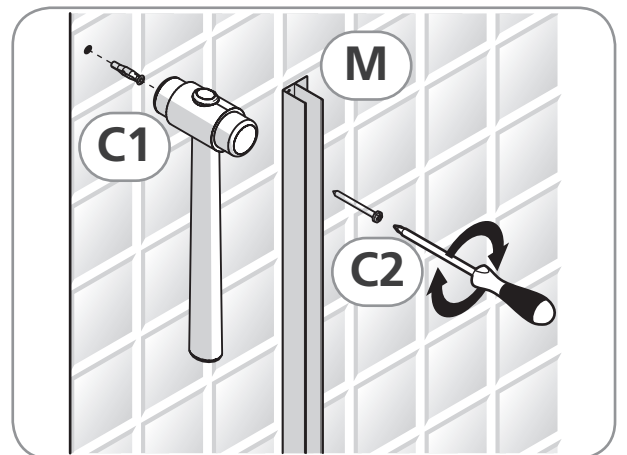
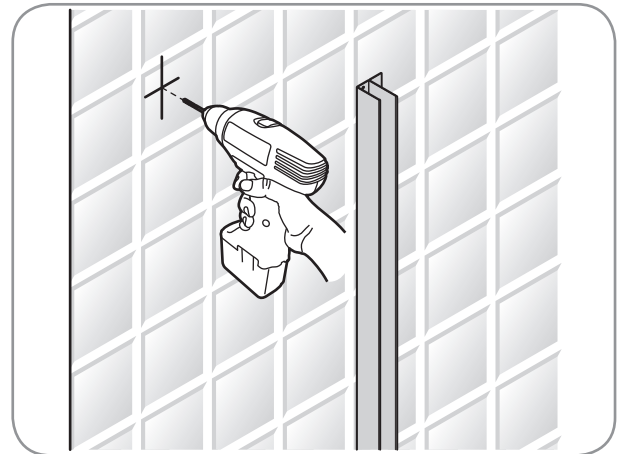
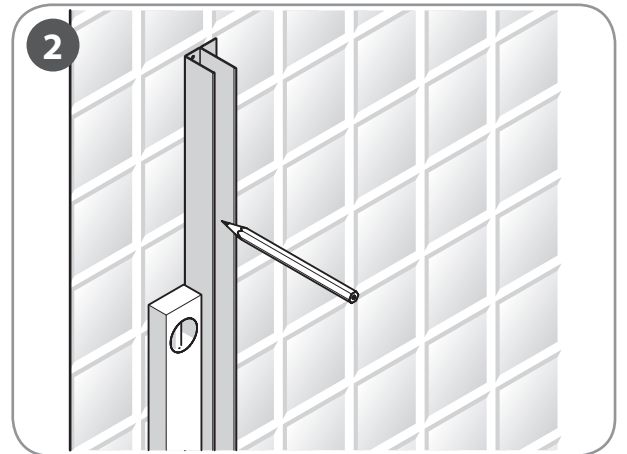
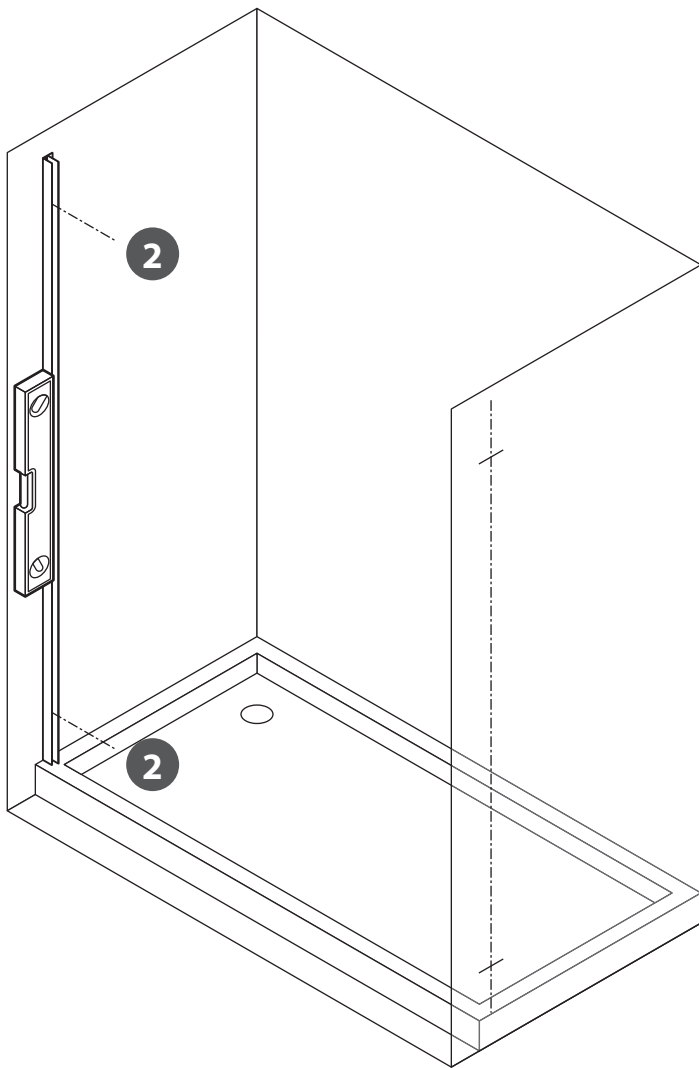
2P96	X=96-102 cm	Z=195 cm
2P114	X=114-120 cm	Z=195 cm
2P116	X=116-122 cm	Z=195 cm
2P126	X=126-132 cm	Z=195 cm
2P136	X=136-142 cm	Z=195 cm
2P146	X=146-152 cm	Z=195 cm
2P156	X=156-162 cm	Z=195 cm



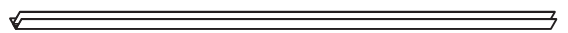
**M**



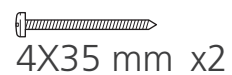
x2



M

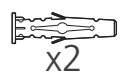


C2



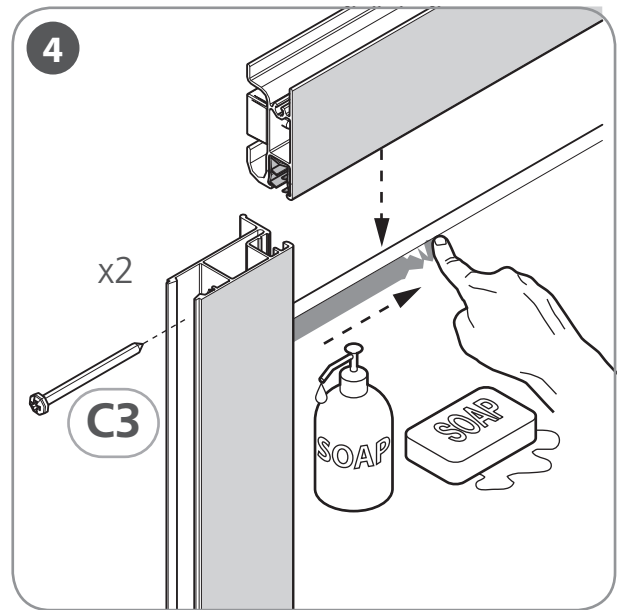
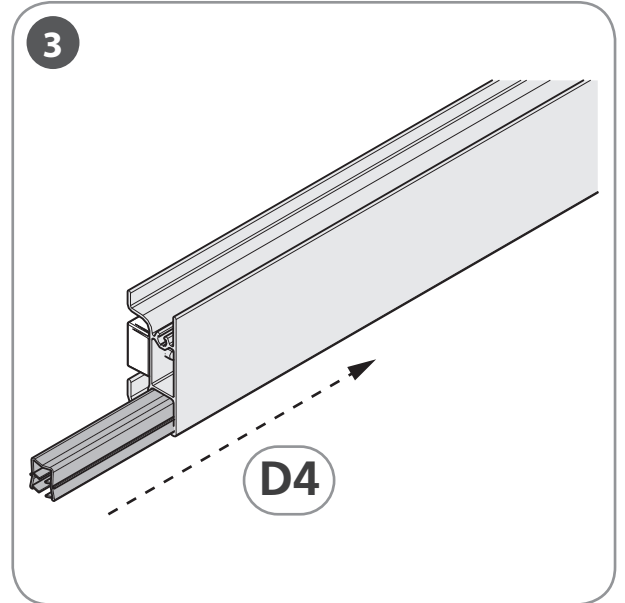
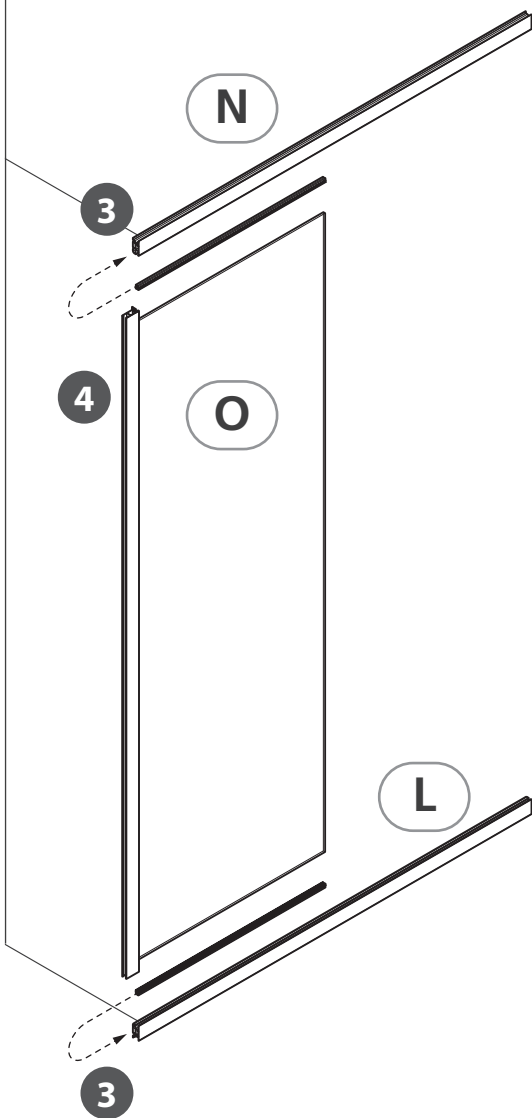
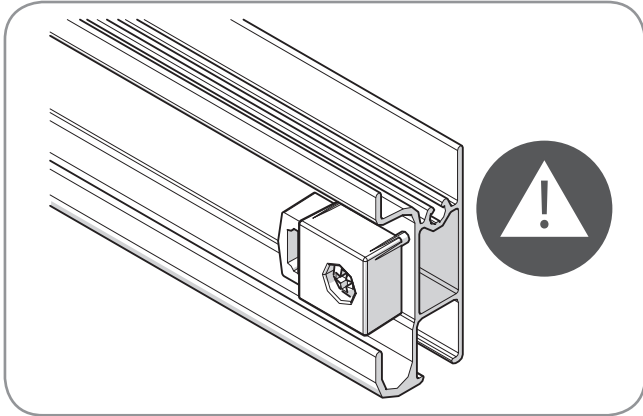
4X35 mm x2

C1



x2

3

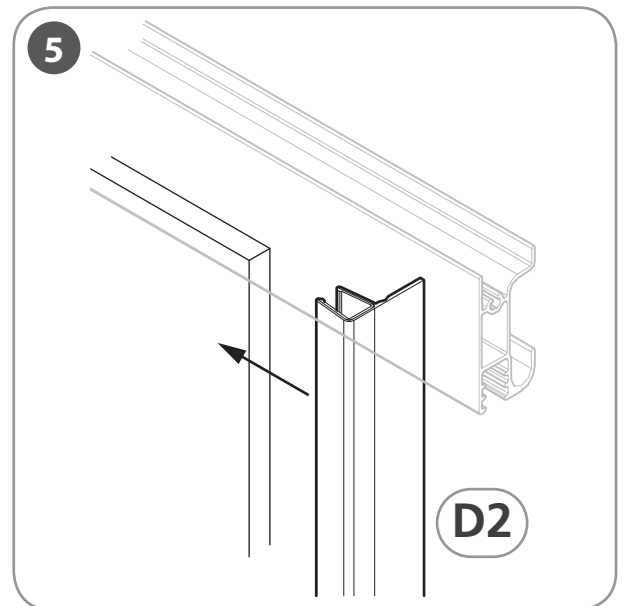
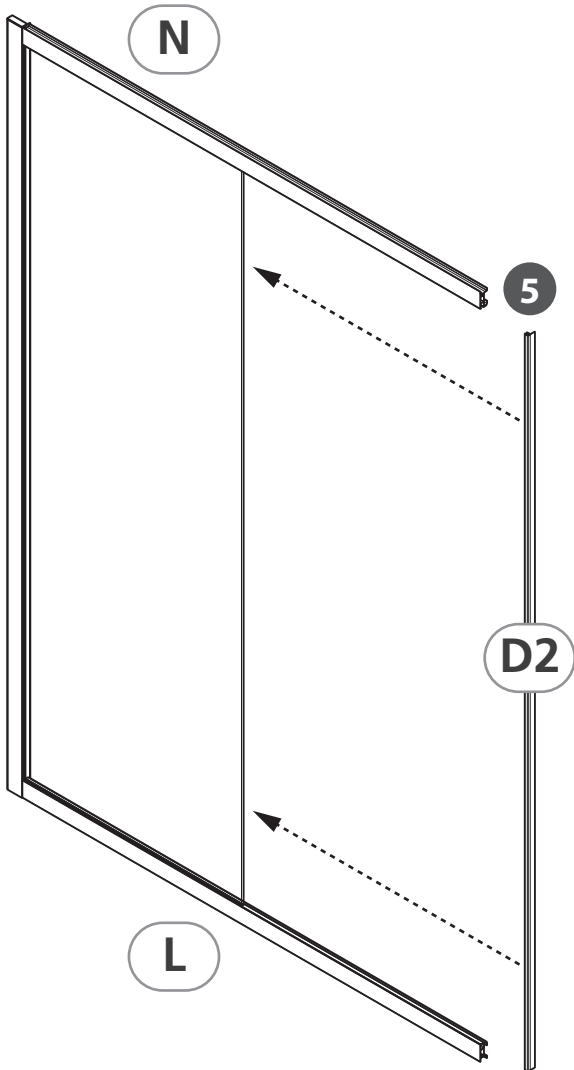


D4 x2



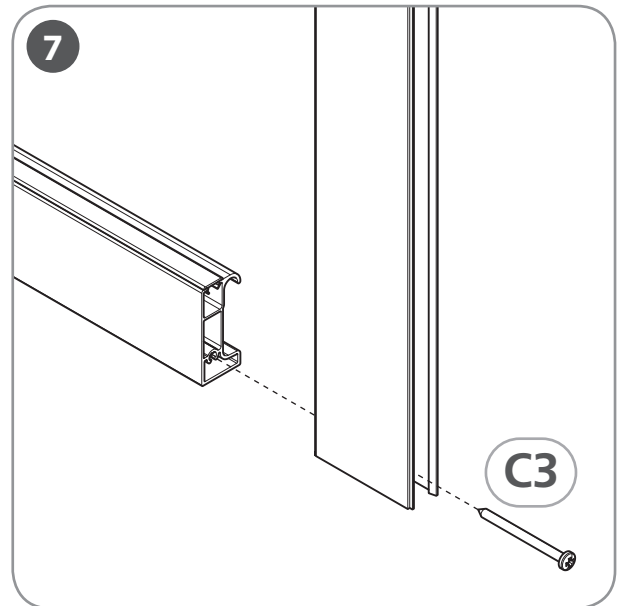
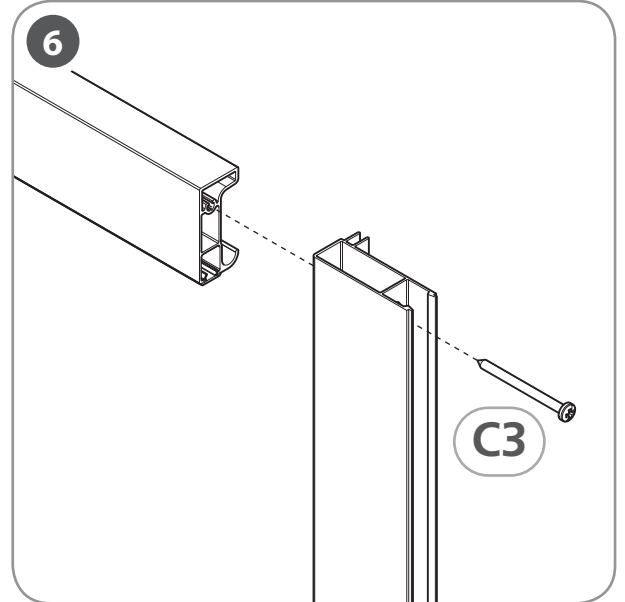
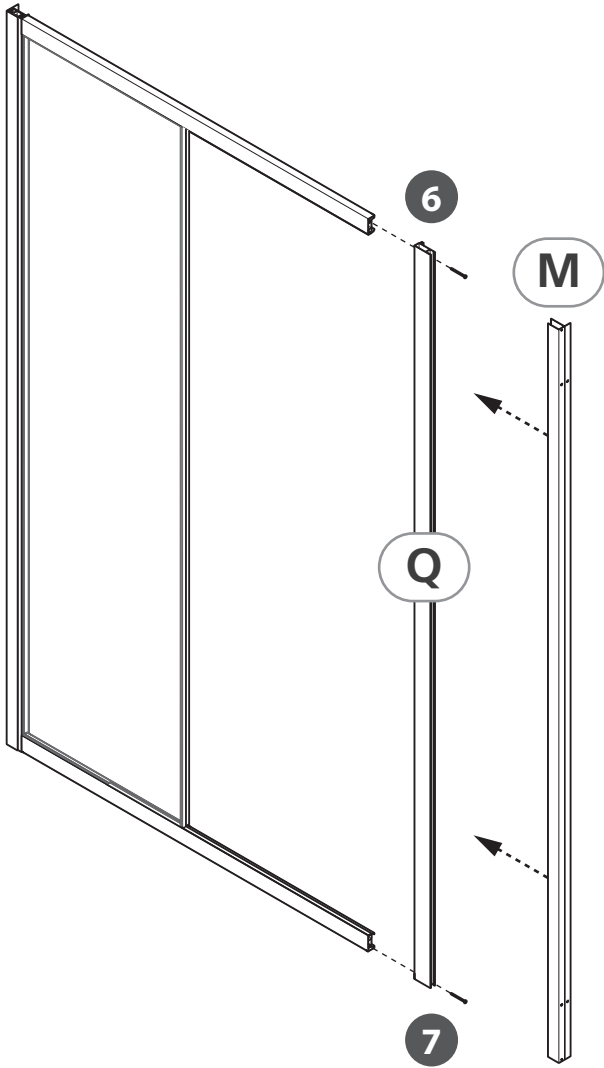
C3 3,5X45 mm x2


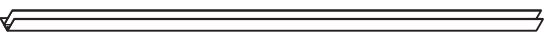



**D2**

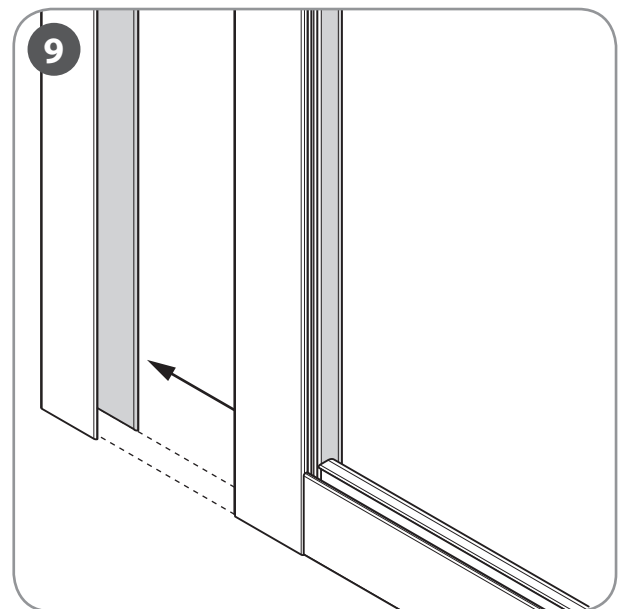
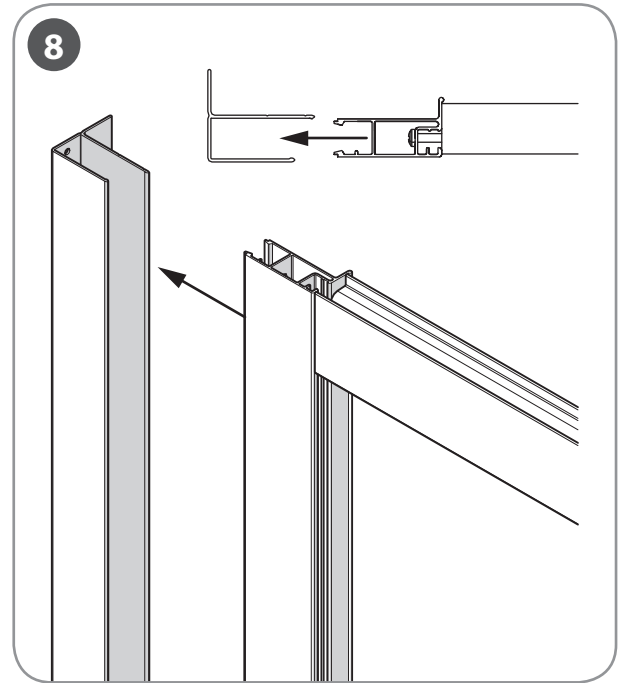
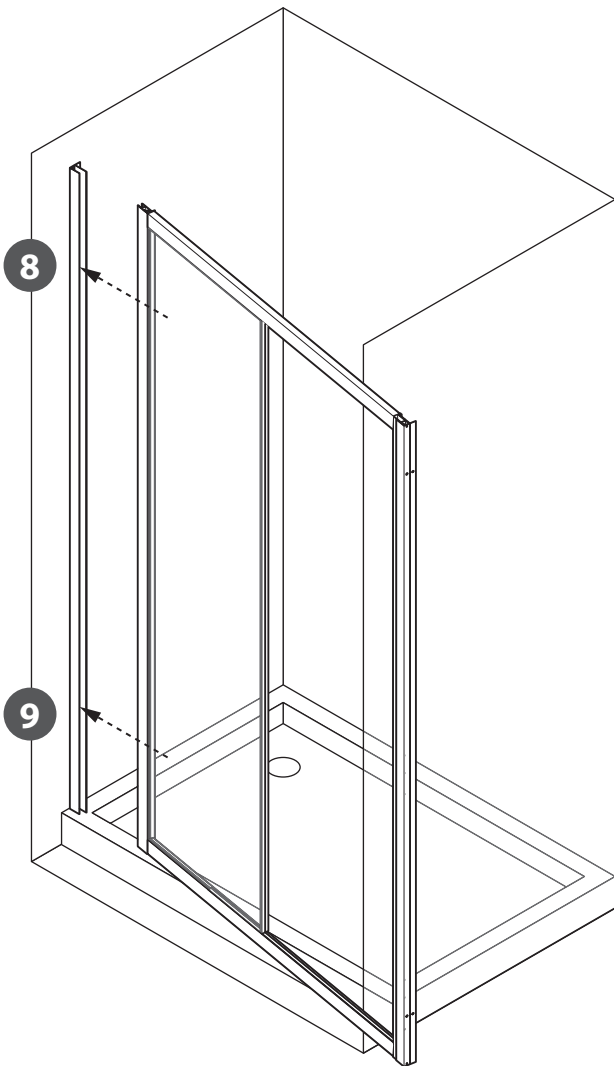
h 1862 mm

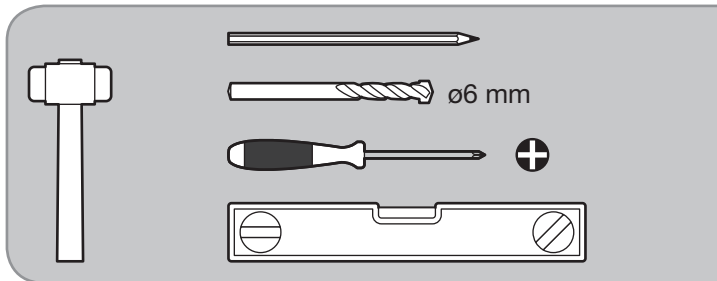
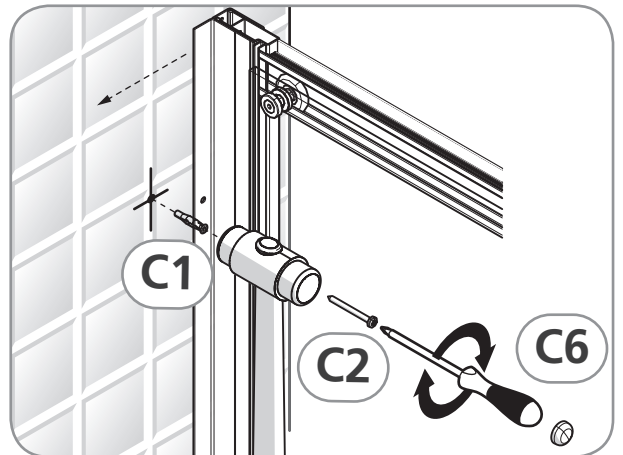
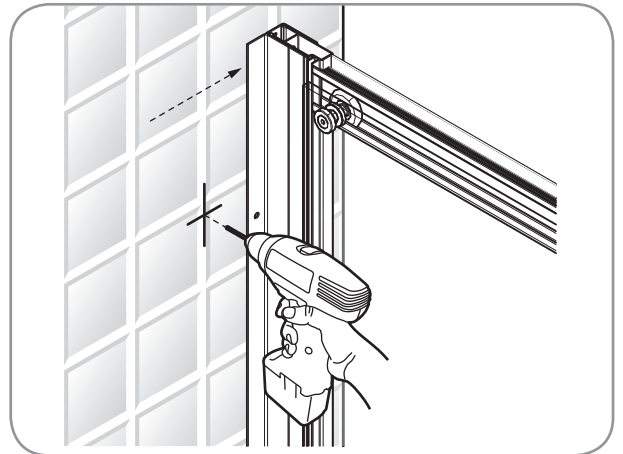
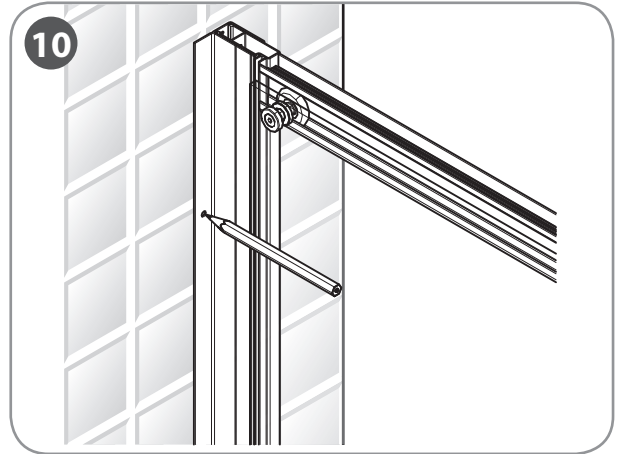
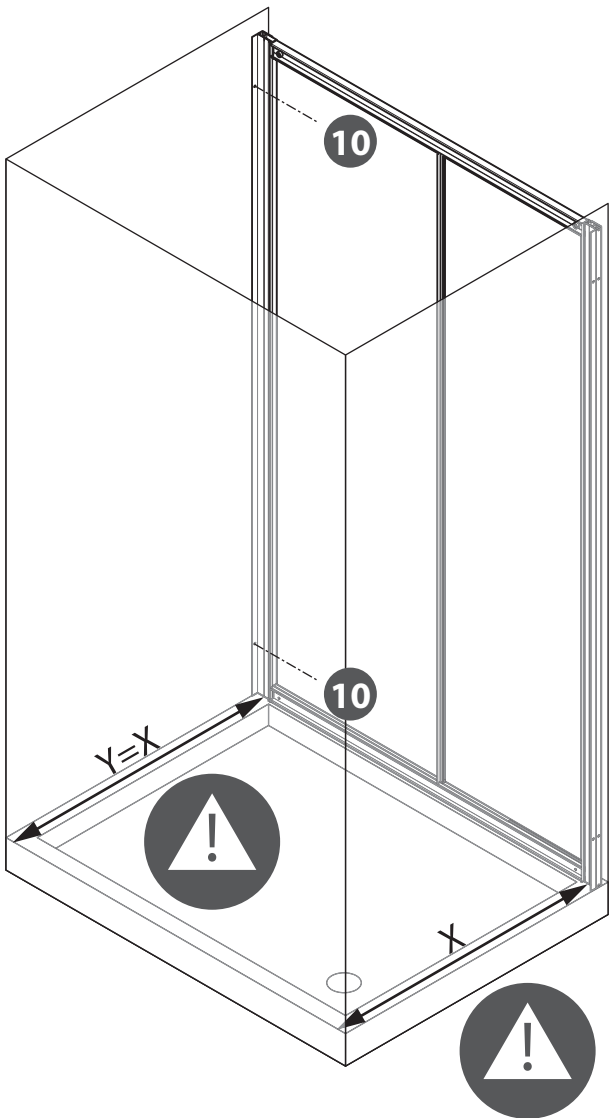
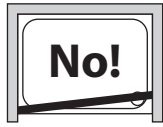
5



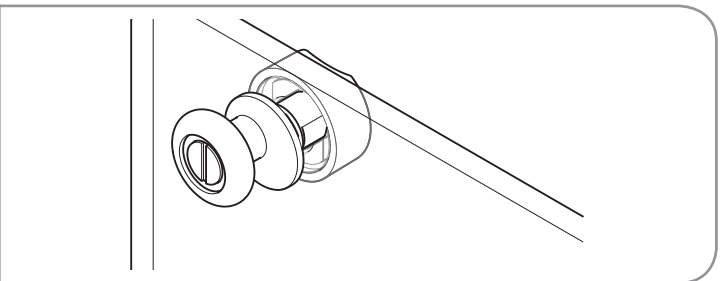
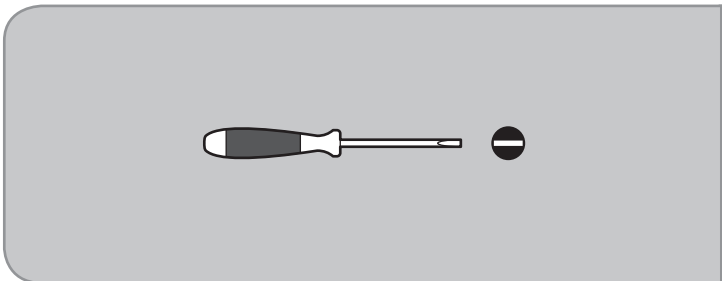
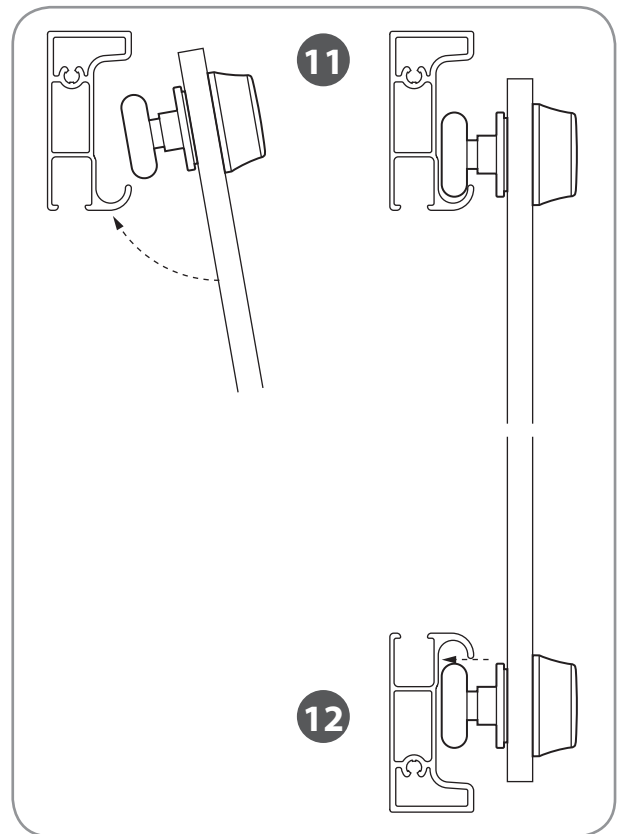
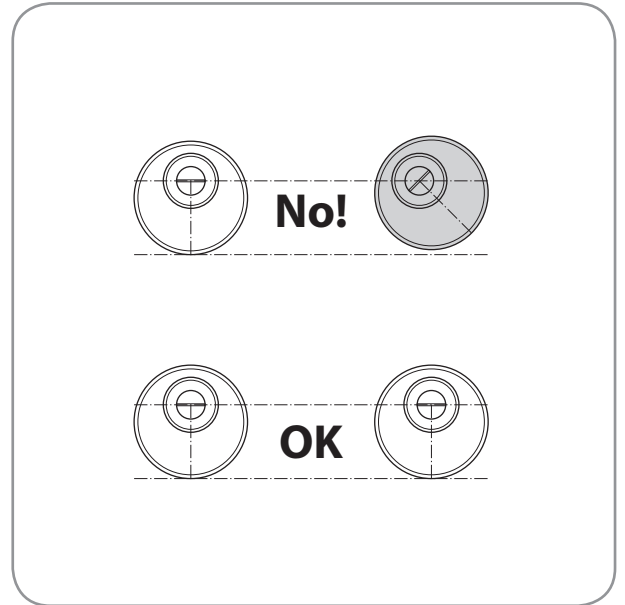
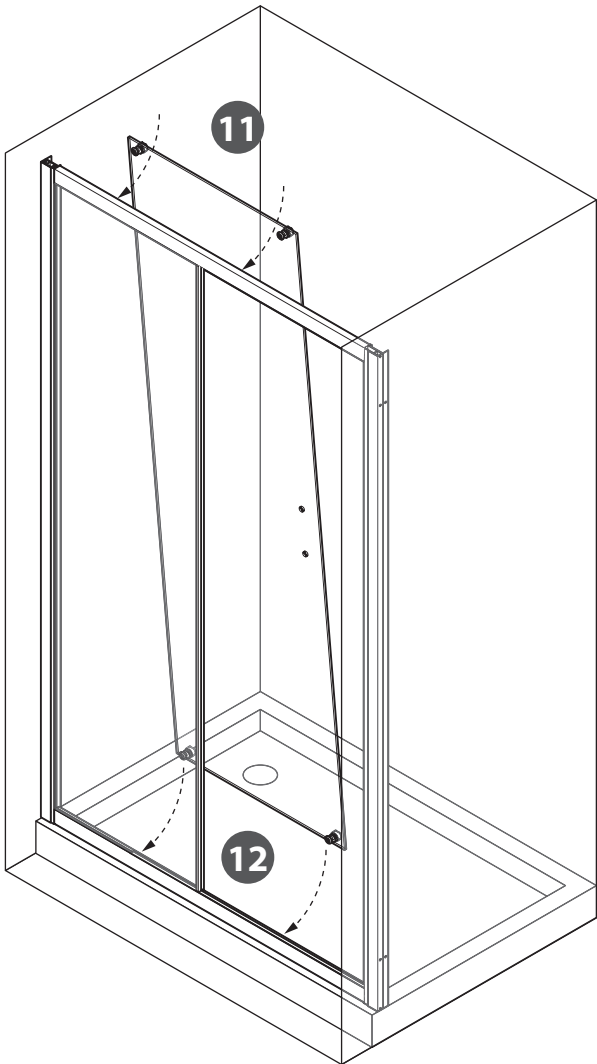
- Q 
- M 
- C3  3,5X45 mm x2



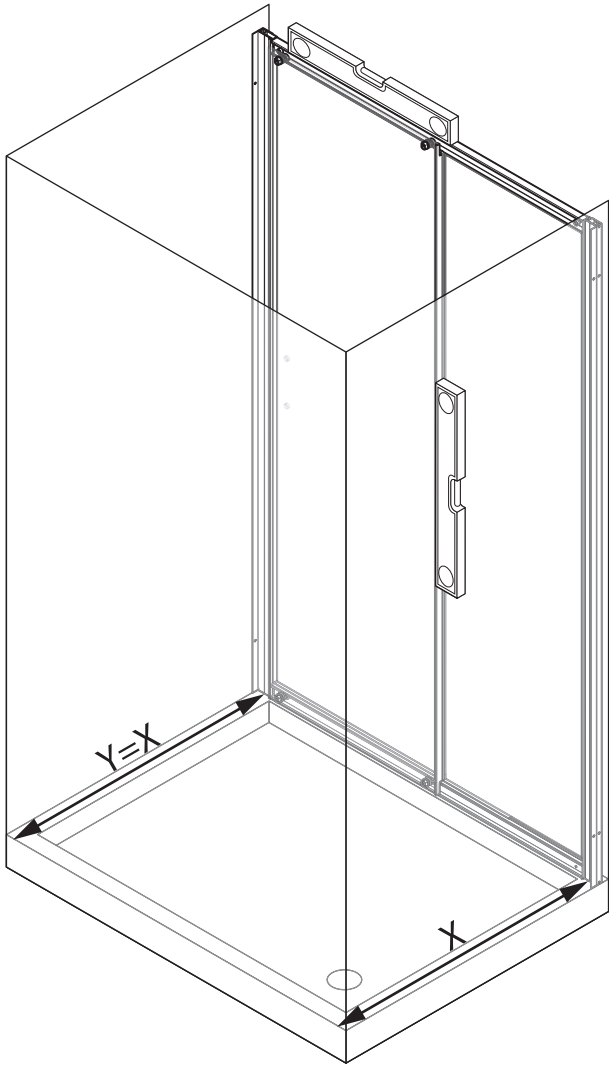




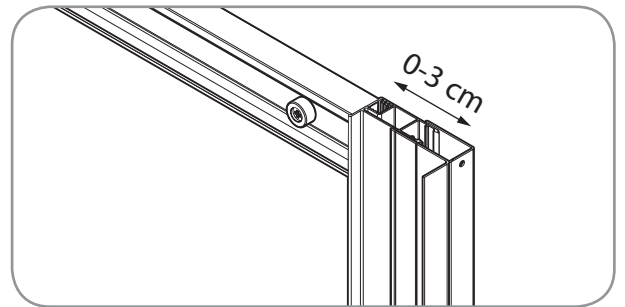
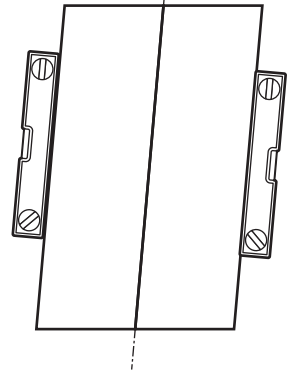
- C1**  x2
- C2**  x2
- C6**  x2



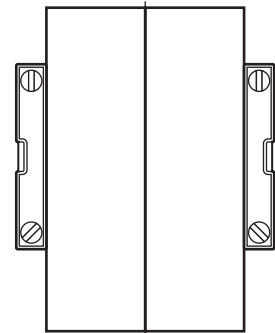
9

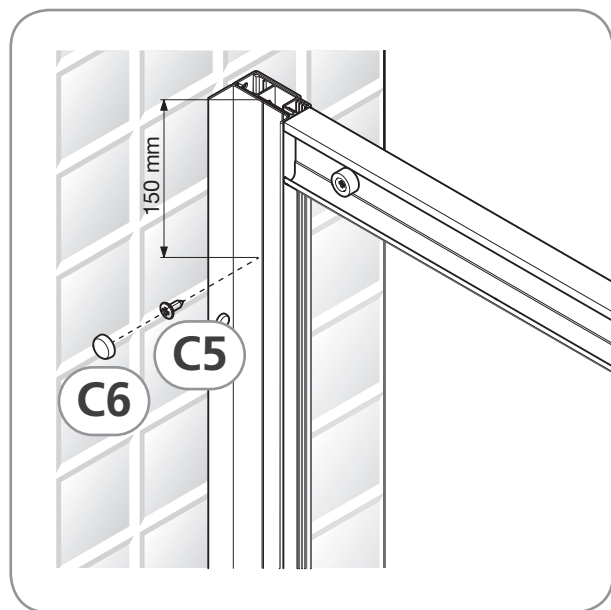
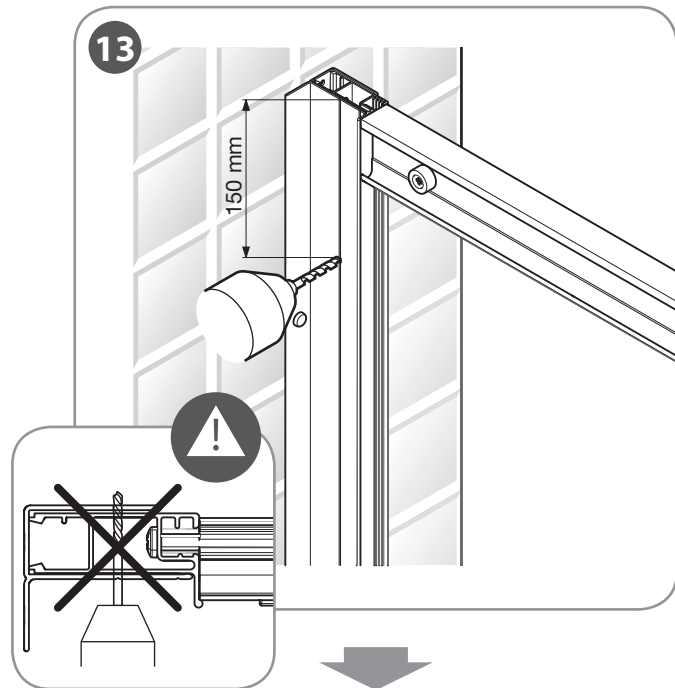
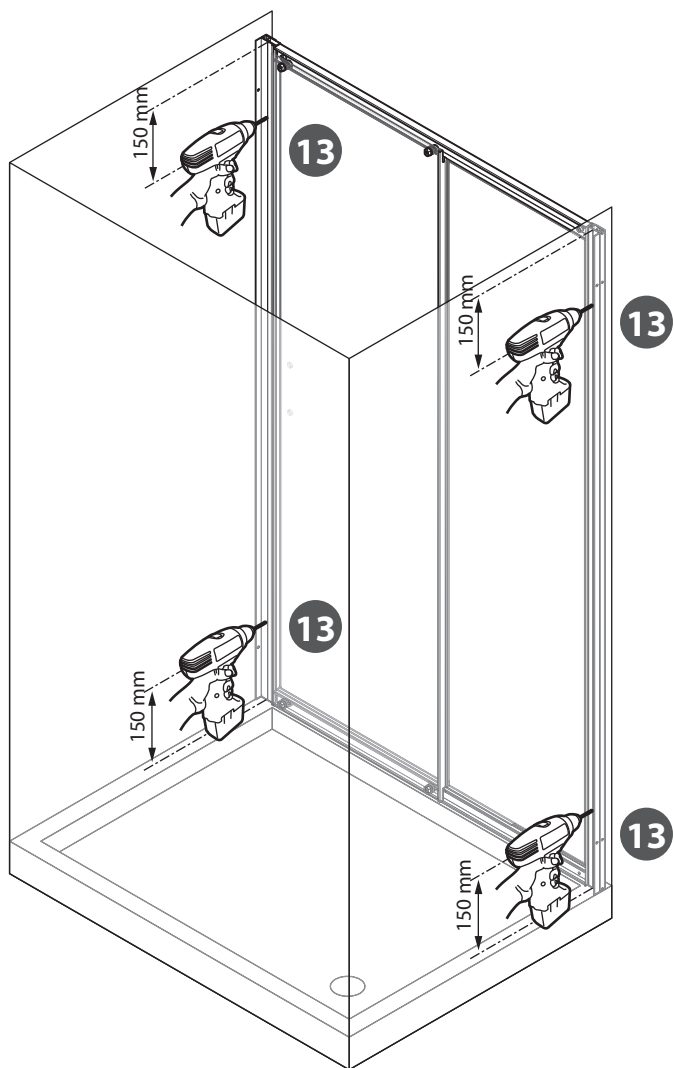




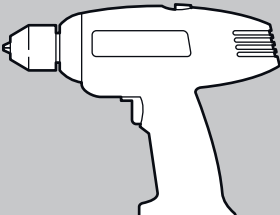



No!

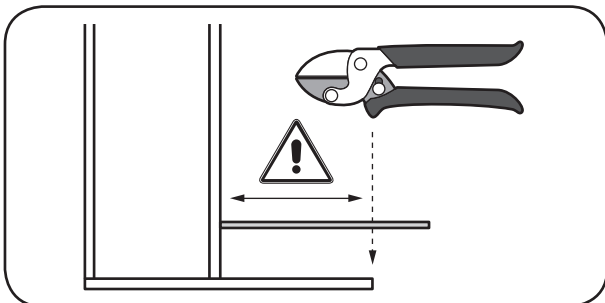
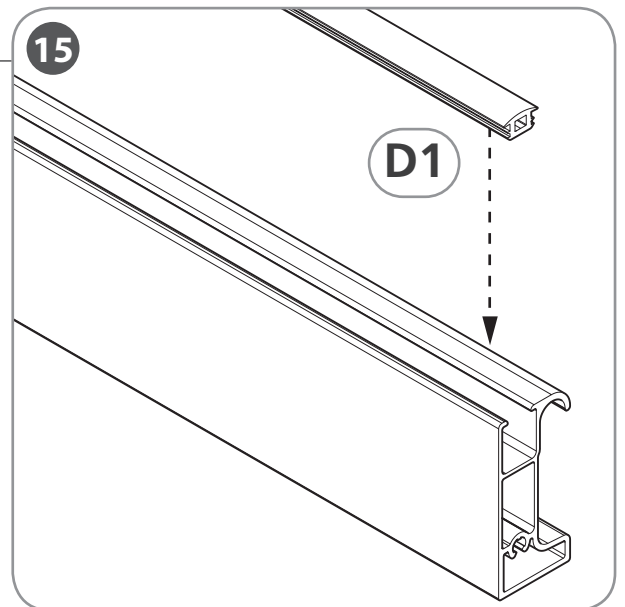
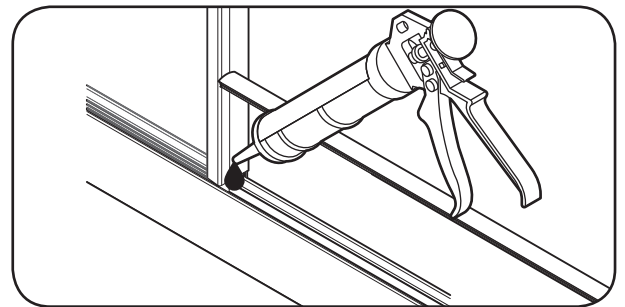
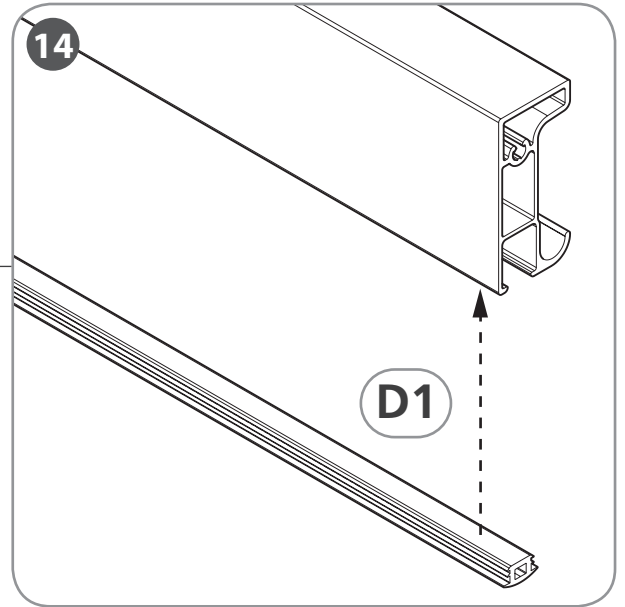
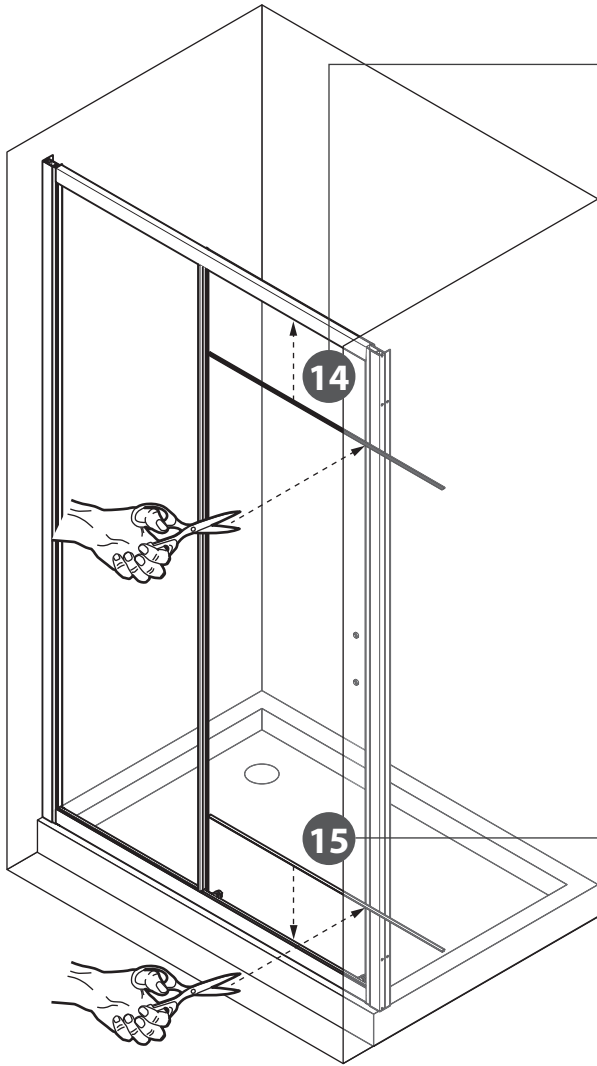


OK





				
			3,5x9,5 mm	
			x4	x4



D1



x2

